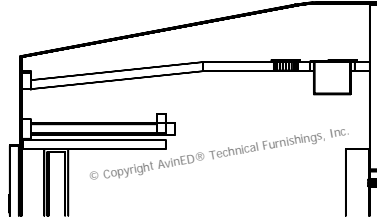
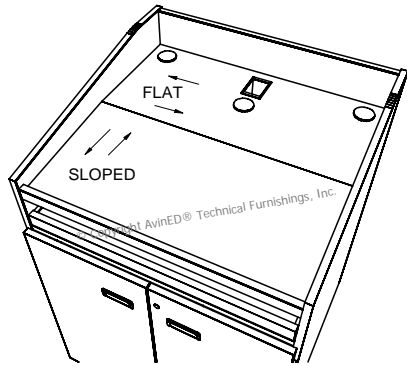
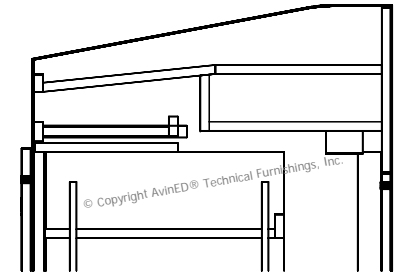
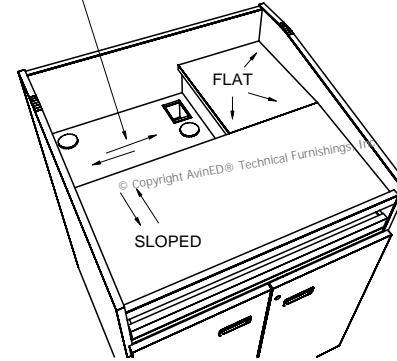


Lectern Top Configurations



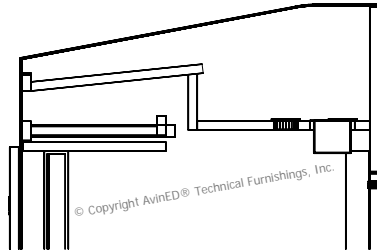
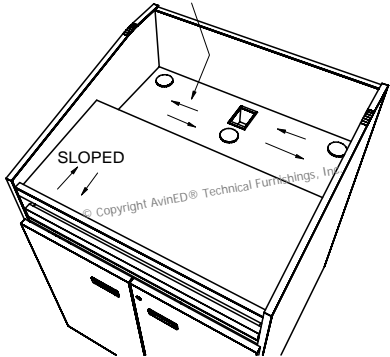
SLOPED TO FLAT

1/2 WIDTH RECESSED FLAT TROUGH

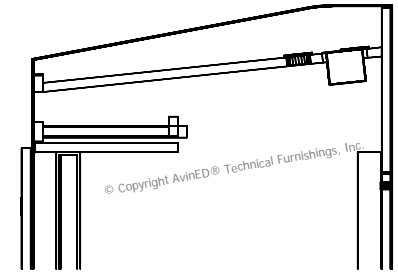
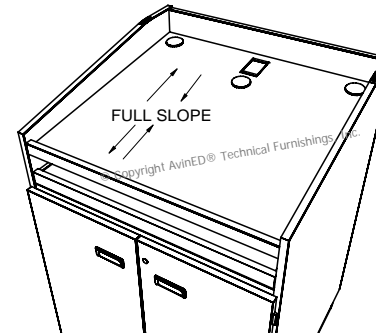


SLOPED TO 1/2 TROUGH (LEFT OR RIGHT)

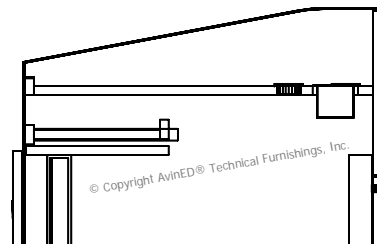
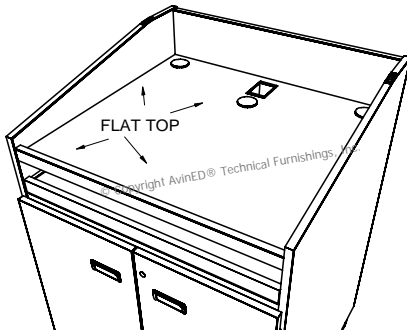
RECESSED FLAT TROUGH



SLOPED TO TROUGH



FULL SLOPE



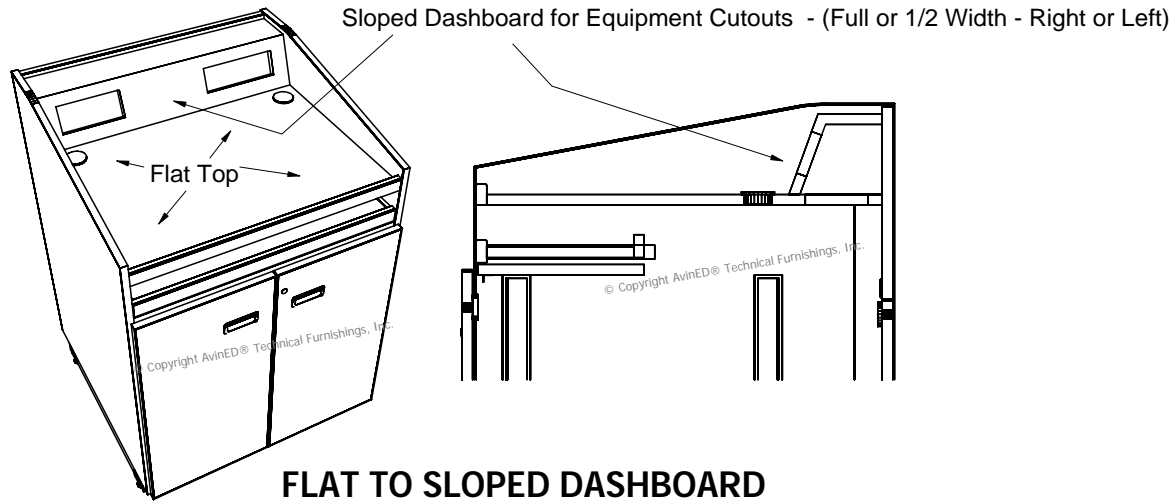
FULL FLAT

©Copyright AvinED Technical Furnishings, Inc. "AvinED", as an unpublished work. All rights reserved. These drawings and materials contain information and designs which are confidential and proprietary to AvinED. AvinED owns all rights in and to these drawings and materials, including, but not limited to, copyright, trade secret and other intellectual property rights. No one may use, copy or distribute any portion of these drawings or materials without the express written consent of AvinED.

Attention: The INSTALLER/OWNER is responsible to verify that all electrical work and materials done to or in this piece of furniture meets or exceeds all National and Local Electrical Codes. AvinED Technical Furnishings, Inc. assumes no responsibility for electrical materials or work done in this furniture.

<h2 style="margin: 0;">AvinED[®]</h2> <h3 style="margin: 0;">Technical Furnishings, Inc.</h3> <p style="margin: 0;">915 Railroad Street Springdale, Pennsylvania 15144-1726 Phone: 724-274-5470 FAX: 724-274-5471 Web: www.avined.com</p>			
Customer: Your Name Here 123 Main Street Anywhere, US 12345			
Project #:	TBD	Project:	Lectern Top Configurations
Date:	February 1, 2010	Sheet:	1 of 2
		Revision:	0

Lectern Top Configurations



©Copyright AvinED Technical Furnishings, Inc. "AvinED", as an unpublished work. All rights reserved. These drawings and materials contain information and designs which are confidential and proprietary to AvinED. AvinED owns all rights in and to these drawings and materials, including, but not limited to, copyright, trade secret and other intellectual property rights. No one may use, copy or distribute any portion of these drawings or materials without the express written consent of AvinED.

Attention: The INSTALLER/OWNER is responsible to verify that all electrical work and materials done to or in this piece of furniture meets or exceeds all National and Local Electrical Codes. AvinED Technical Furnishings, Inc. assumes no responsibility for electrical materials or work done in this furniture.

<h2 style="margin: 0;">AvinED[®]</h2> <h3 style="margin: 0;">Technical Furnishings, Inc.</h3> <p style="margin: 0;">915 Railroad Street Springdale, Pennsylvania 15144-1726 Phone: 724-274-5470 FAX: 724-274-5471 Web: www.avined.com</p>			
Customer: Your Name Here			
123 Main Street Anywhere, US 12345			
Project #:	TBD	Project:	Lectern Top Configurations
Date:	February 1, 2010	Sheet:	2 of 2
		Revision:	0