



The perfect choice for a small classroom Instructor Podium.

This podium will hold all of your Audio Visual Equipment giving you a truly Smart Classroom.

Note: All electronic / AV equipment is shown for demonstration purposes only & is not included.

**PRODUCT SIZE** 26" wide | 24" deep | 46 1/2" high in the front | 40 3/8" high at the work surface  
**NOTE:** Unit is 25 3/8" deep with 270 degree full wrap around hinges

#### AVAILABLE EXTERIOR FINISHES

MEL = Thermally Fused Melamine Laminate

LAM = Plastic Laminate

\*(MEL) Models = Particle board core melamine laminate with PVC edges

\*(LAM) Models = Plastic laminate exteriors on black particle board core melamine with PVC edges

NOTE: The PVC edges will match the exterior color when available; otherwise the edges will be accent black (or) a different color of your choice.

#### STANDARD FEATURES

- (RR) Models = Fixed Front Mount 16RU Rack Rail - Rear rack rail available at additional cost (RR-R)
- (AS) Models = Three Adjustable 19" Deep Shelves
- (O) Models = Open Interior for Rack Insert (by others)
- Standard Top Configurations: (F) FLAT (or) (SF) SLOPE to FLAT
- Standard Top Finish: Wilsonart #4623-60 Graphite Nebula Plastic Laminate on particle board core. Other plastic laminate finishes available upon request (some choices may require additional charges)
- Doors: Locking equal width (or) no doors
- Exposed 270 degree full wrap around black hinges
- Recessed black metal door pulls
- Keyboard / Mouse pullout (or) finished open storage shelf
- Removable locking rear access panel (or) solid finished front
- Standard bottom hole for air and wire access
- ( 1" ) front wire access / air intake gap at bottom of doors
- Cab. Cool fan cut outs upon request (fans not included)
- Standard top 2" wire grommets in each corner (other cut outs upon request)
- Standard side 3" wire grommets - Right & Left Sides
- Equipment cut outs upon request
- Base: (CB) Exposed locking M10 black swivel casters (or) (LB) M10 levelers

#### OPTIONS

- 18" Wide Flip up side shelves - (SSR) Right, (SSL) Left, (or) (SSR-SSL) Both Sides
- Custom Logo's

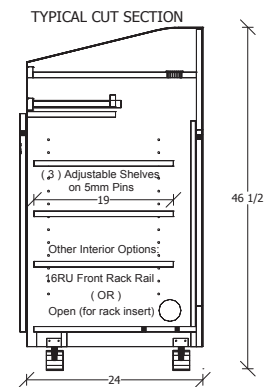
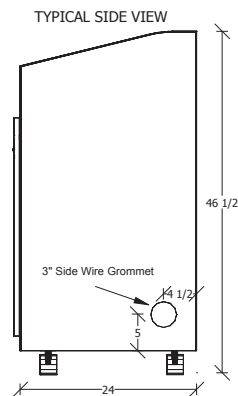
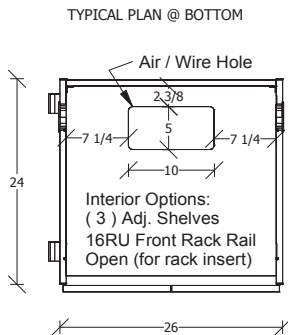
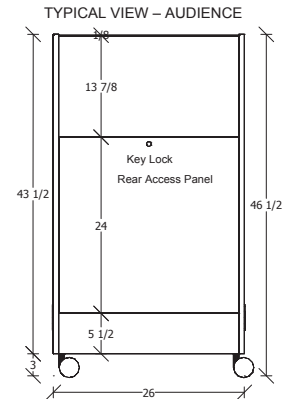
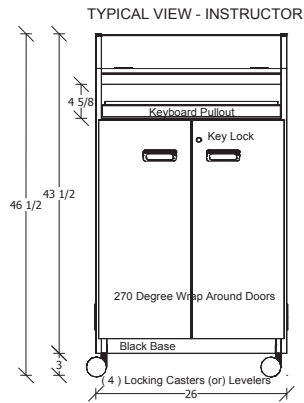
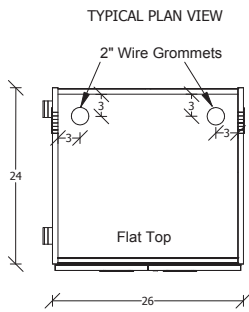
This unit may be customized to meet your needs.  
Please just ask & we will do our best to accommodate your requirements.  
Call us today at 724.274.5470 for a quote.

[www.AvinED.com](http://www.AvinED.com)





### Standard MODEL AMF26



© Copyright AvinED Technical Furnishings, "AvinED", as an unpublished work. All rights reserved. These drawings and materials contain information and designs which are confidential and proprietary to AvinED. AvinED owns all rights in and to these drawings and materials, including, but not limited to, copyright, trade secret and other intellectual property rights. No one may use, copy or distribute any portion of these drawings or materials without the express written consent of AvinED.

**AvinED®**  
Technical Furnishings, Inc.

915 Railroad Street Springdale, Pennsylvania 15144-1726  
Phone: 724-274-5470 FAX: 724-274-5471  
Web: www.avin.com

The INSTALLER / OWNER is responsible to verify that all electrical work and materials done to or in this piece of furniture meets or exceeds all National and Local Electrical Codes. AvinED® Technical Furnishings, Inc. assumes no responsibility for electrical materials or work done in this furniture. © Copyright AvinED® Technical Furnishings, Inc. "AvinED®", as an unpublished work. All rights reserved. This material contains information and designs which are confidential and proprietary to AvinED®. AvinED® owns all rights in and to this material, including, but not limited to, copyright, trade secret and other intellectual property rights.